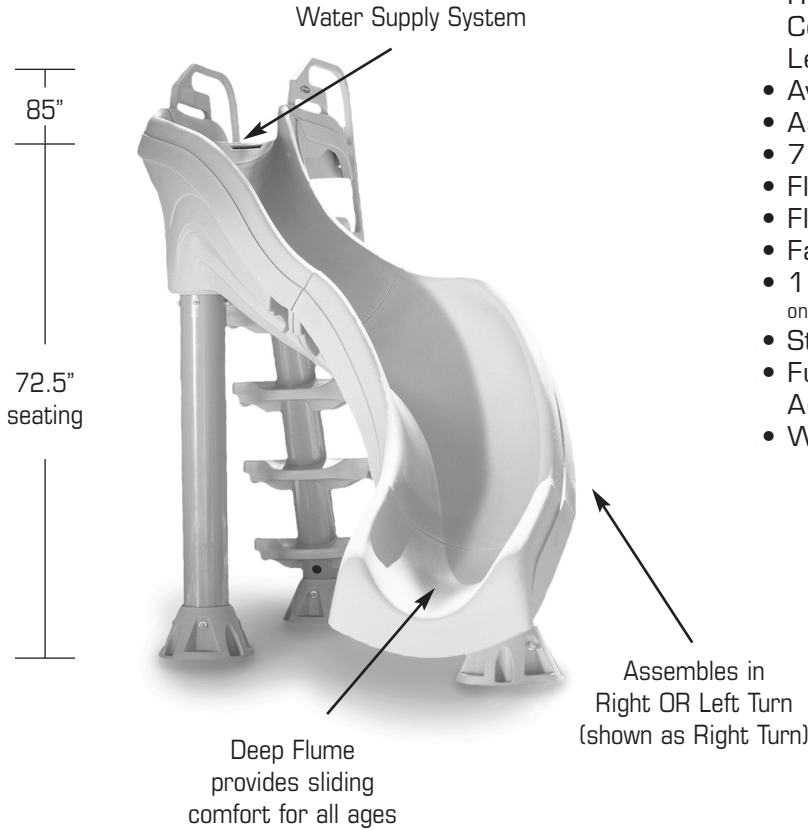


X-STREAM 2™ SLIDE:

RESIDENTIAL SLIDES



FEATURES:

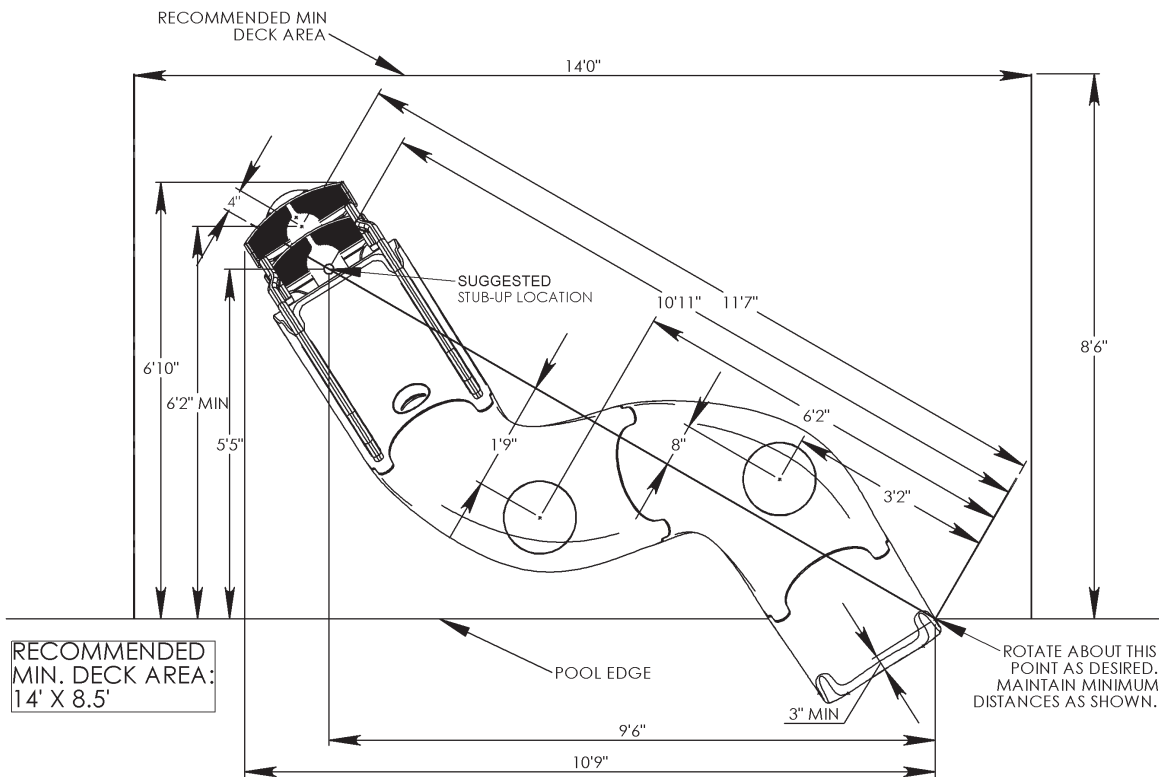
- Rotational Molded - Polyethylene Construction on Flume, Steps, Rails & Leg Supports (PVC Legs)
- Available in Summit Gray Only
- Assembles in **Right OR Left Turn**
- 72.5" High at Seating Area
- Flume Width = 22.5" (centerline)
- Flume Depth = 12.5"
- Fantastic Water Supply System
- 15-25 GPM (Actual GPM rating will vary depending on specific pool size and pool equipment used.)
- Stainless Steel Hardware
- Fully Molded Treads Provide Safe Access to Slide Flume
- Weight Limit = 250 Lbs.

X-STREAM™ SLIDE

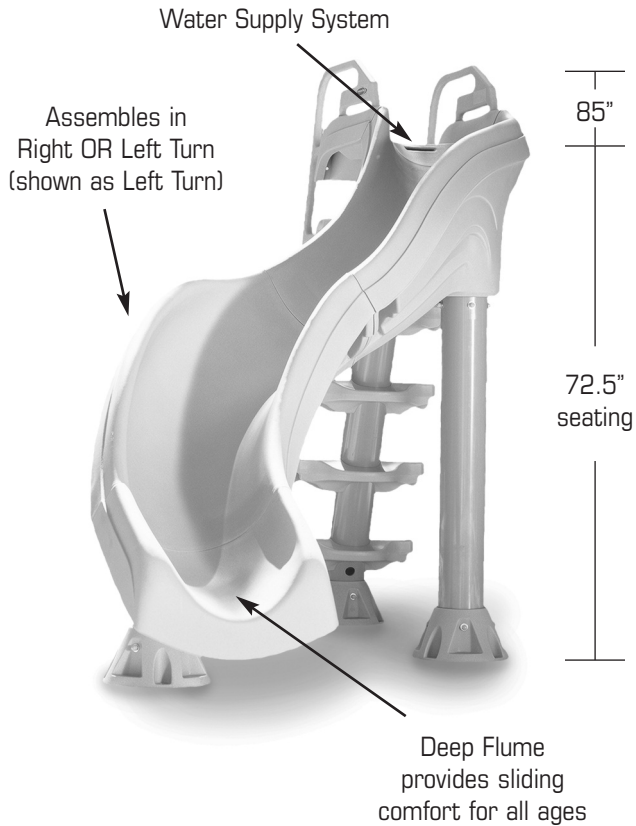
DESCRIPTION	PART NUMBER
X-Stream Slide - right/left - gray comes w/ss hardware	Part #XS-GR-SS

X-Stream 2 Footprint for RIGHT Turn Slide

NOTE: The stub-up location for the X-Stream 2 slide is in a different position than the first generation X-Stream slide. If you need X-Stream 1 information, please contact Customer Service at **1-800-737-5386**.



X-STREAM 2™ SLIDE:



FEATURES:

- Rotational Molded - Polyethylene Construction on Flume, Steps, Rails & Leg Supports (PVC Legs)
- Available in Summit Gray Only
- Assembles in **Right OR Left Turn**
- 72.5" High at Seating Area
- Flume Width = 22.5" (centerline)
- Flume Depth = 12.5"
- Fantastic Water Supply System
- 15-25 GPM (Actual GPM rating will vary depending on specific pool size and pool equipment used.)
- Stainless Steel Hardware
- Fully Molded Treads Provide Safe Access to Slide Flume
- Weight Limit = 250 Lbs.

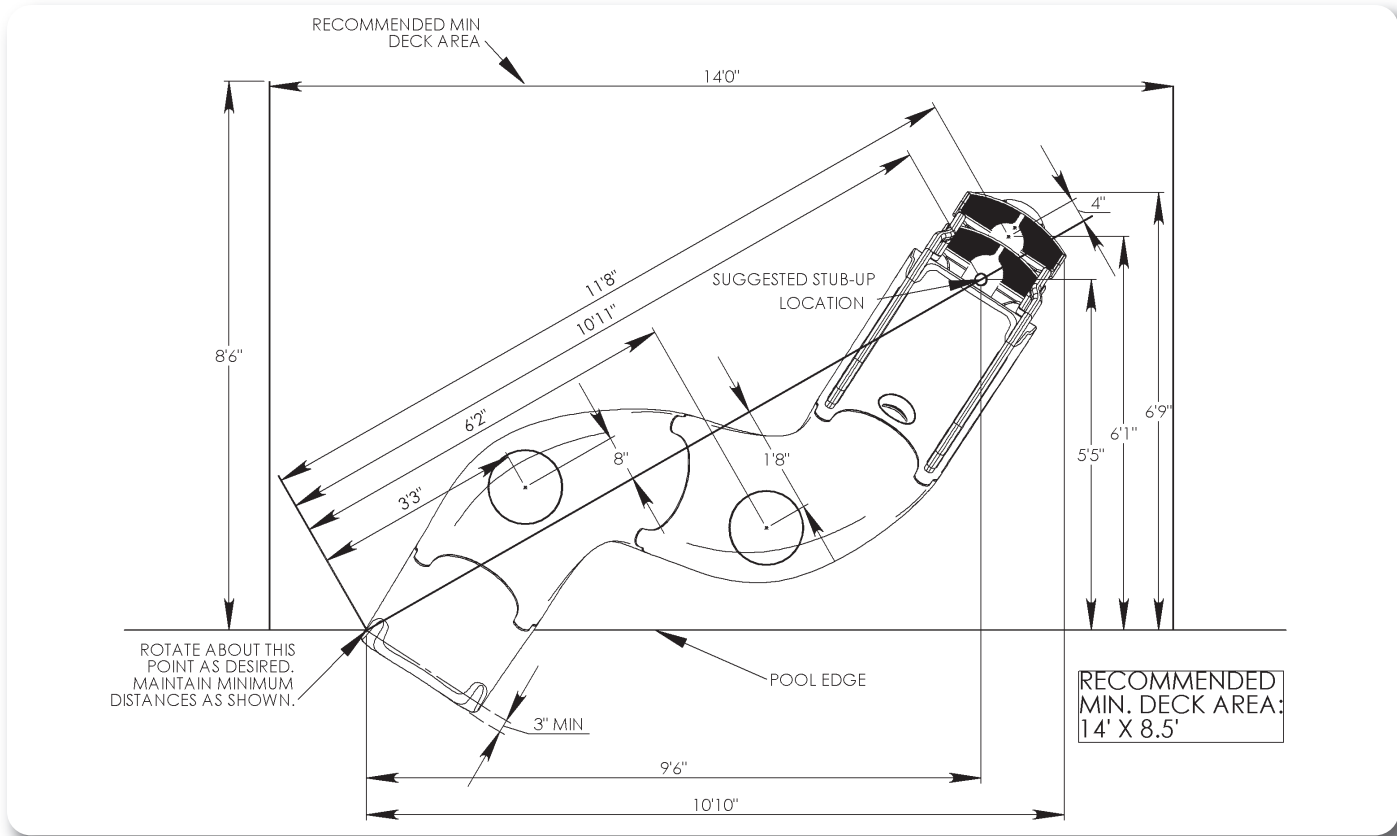
X-STREAM 2™ SLIDE

DESCRIPTION	PART NUMBER
X-Stream Slide - right/left - gray comes w/ss hardware	Part #XS-GR-SS

RESIDENTIAL SLIDES

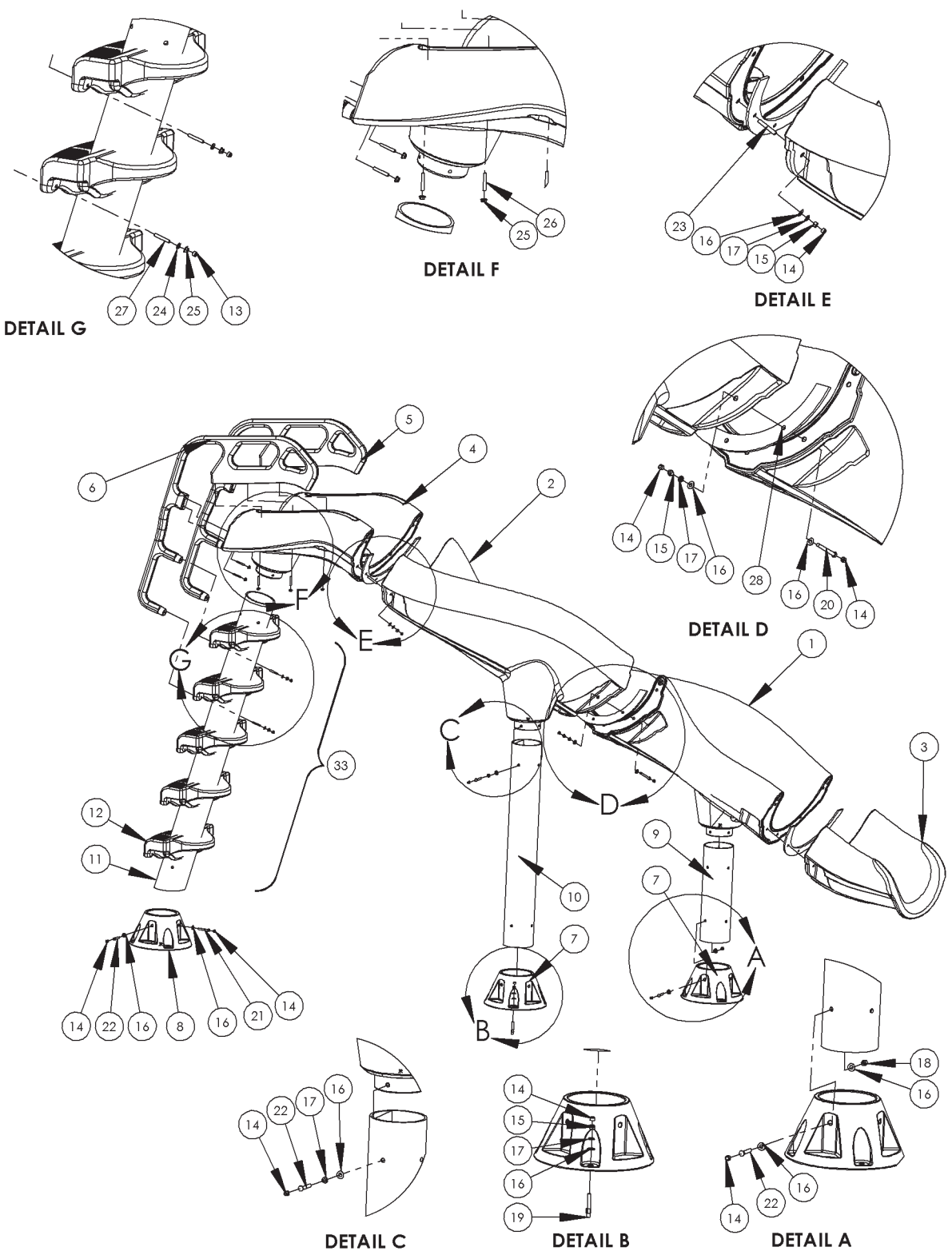
X-Stream 2 Footprint for LEFT Turn Slide

NOTE: The stub-up location for the X-Stream 2 slide is in a different position than the first generation X-Stream slide. If you need X-Stream 1 information, please contact Customer Service at **1-800-737-5386**.



X-STREAM 2™ SLIDE (XS-GR-SS):

RESIDENTIAL SLIDES



X-STREAM 2™ SLIDE (XS-GR-SS):

ALL CHART INFORMATION BELOW CORRESPONDS WITH THE DRAWING ON THE PREVIOUS PAGE.



DRAWING REPRESENTS THE FOLLOWING PART NUMBERS:

XS-GR-SS

ITEM #	COMPONENT	DESCRIPTION	HARDWARE KITS/PARTS KITS - QTY. COUNTS						
			XS-GR-SS	XS-101-SS	XS2-102-SS	XS-103-SS	XS-104-SS	XS2-105-SS	STEP ASSEMBLY
1	XS-RIGHT FLUME	A & B RIGHT HAND FLUME SECTION	1						
2	XS-LEFT FLUME	C & D LEFT HAND FLUME SECTION	1						
3	XS-EXIT	BOTTOM SECTION	1						
4	XS-ENTRY	TOP SIDE SECTION WITH WATER OUTLET	1						
5	XS-L HANDRAIL	LEFT HANDRAIL WITH X-STREAM LOGO	1						
6	XS-R HANDRAIL	RIGHT HANDRAIL WITH X-STREAM LOGO	1						
7	XS-FOOT PEDESTAL	STRAIGHT FOOT PEDESTAL	2						
8	XS-16 FOOT PEDESTAL	16 DEGREE FOOT PEDESTAL	1						
9	H-6 X 21.250	6" X 21.250" GRAY PVC PIPE SCHEDULE 40	1						
10	H-6 X 45.375	6" X 45.375" GRAY PVC PIPE SCHEDULE 40	1						
11	H-6 X 71.5	6" X 71.5" GRAY PVC PIPE SCHEDULE 40							1
12	XS-STEP	X-STREAM BLOW MOLDED STEP							5
13	H-.463 X .310 CAP	GRAY PROTECTIVE CAP						4	
14	H-.562 X .390 CAP	GRAY PROTECTIVE CAP		11	25	12	12		
15	H-SS 3/8 F NUT	3/8" FINISH NUT S.S.			15				
16	H-SS 3/8 FLT WASHER	3/8" X 1" FLAT WASHER S.S.		22	25	12			
17	H-SS 3/8 LOC WASHER	3/8" LOCK WASHER S.S.			15	12	12		
18	H-SS 3/8 NYLON	3/8" NYLON INSERT NUT S.S.		11					
19	H-SS 3/8 WEDGE	3/8" X 2-3/4" WEDGE ANCHOR W/NUT & FLAT WASHER S.S.					12		
20	H-SS 3/8 X 3 TAP	3/8" X 3" HEX HEAD TAP BOLT S.S.			10				
21	H-SS 3/8 X2-1/2	3/8" X 2-1/2" HEX HEAD BOLT S.S.		1					
22	H-SS 3/8-16X2	3/8" X 2" HEX HEAD BOLT S.S.		10		12			
23	H-SS 3/8X2-1/2	3/8" X 2-1/2" ALL-THREAD STUD S.S.			5				
24	H-SS 5/16 FLA WASHER	5/16" FLAT WASHER S.S.						4	
25	H-SS 5/16 HEX FLANGE	5/16" HEX FLANGE NUT S.S.						14	
26	H-SS 5/16 X 2	5/16" X 2" ALL-THREAD STUD S.S.						10	
27	H-SS 5/16 X 2-1/2	5/16" X 2-1/2" ALL-THREAD STUD S.S.						4	
28	H-G4C GASKET	U-SHAPED GASKET - 3 HOLES	3						
29	H-1 BALL VALVE	1" BALL VALVE-SLIP GRAY							1*
30	H-NYLON ROD 101	NAT NYLON ROL 101 .375 DIA.							5*
31	H-1 SPA HOSE	GRAY SPA HOSE FOR STEP ASSEMBLY, 10 FT. LENGTH							10*
32	XS2 WATER OUTLET	COMES AS PART OF ENTRY SECTION	1*						
33	XS-STEP COMP	COMPLETE ASSEMBLED STEP, INCLUDES ITEMS 11, 12, 29, 30, & 31	1						
34	H-ANTI-SEIZE	ANTI-SEIZE PACKET (NOT SHOWN)							

* not pictured

NOTES:

X-Stream 2 slide only comes in Summit Gray
 X-Stream 2 can turn to the right or the left

RESIDENTIAL SLIDES